



NRB GROUP®

BANDEKAR SPECIALITY VALVE CORPORATION

SINCE 1977



CLASS APPROVED INDUSTRIAL AND MARINE VALVES AND FITTINGS

BACKGROUND

The Narayan Rajaram Bandekar Group of Companies (NRB Group), founded in 1987, by Mr. Narayan R. Bandekar, is based in Goa, India. The group has its roots in the House of Bandekars, one of Goa's well known and valued business families, established in 1941 by Late Mr. Rajaram Narayan Shet Bandekar. It was among the pioneers in the mining industry and Narayan Bandekar carried on the family name by forming the NRB Group. He added to its value by creating a multi fold increase in the turnover of the company.

OVERVIEW OF NRB GROUP

The NRB Group's flagship business is the production and export of iron ore. the Group owns mining leases in Goa, exports ore primarily to China and also sells domestically. The company has over the years emerged as one of Goa's top iron ore exporters.

Guided by the astute vision and years of experience by the Group's Chairman, Narayan R. Bandekar, the NRB Group is now recognized as a reputed brand in Goa and runs several business under its name. It was recently conferred the title of 'Business Group of the Year' at the Business Group awards for Corporate Excellence 2012.

NRB Group believes that progress can only be achieved in harmony with the environment. A commitment to community welfare and environmental protection are a fundamental part of its corporate vision.



The Chairman and Managing Director of NRB Group is a leading light of Goa's business landscape. As President of Goa Chamber of Commerce & Industry and as head of various socio-cultural organisations, Mr. Narayan Bandekar contributes immensely – as an industrialist and philanthropist.

AT THE HELM

Mr. Narayan Rajaram Bandekar - Chairman and Managing Director

Mr. Narayan R. Bandekar is the founder of the NRB Group and the Chairman and Managing Director of the Company. Over the years, he has proven his mettle as a resilient entrepreneur capable of turning the odds in his favour. He oversees the activities of the entire Group and is responsible for deploying the Group's strategic vision.

Mr. Nitin Bandekar - Director

Mr. Nitin Bandekar is Group Director oversees its manufacturing and mining operations. He received his Electrical Degree from Bangalore University. He is actively involved in all aspects of the manufacturing and mining division and is well known and respected in the professional community.

Mr. Amit Bandekar - Director

Mr. Amit Bandekar heads Palette Hotels Pvt. Ltd, the NRB Group's hospitality venture which owns the popular The HQ Hotel in Vasco and 10 Calangute in North Goa. Armed with an M.B.A. degree from San Diego State University C.A., U.S.A.. He has brought to the business a fresh new creative and reasoned approach.

OUR BUSINESSES

Rajaram Bandekar (Sirigao) Mines Pvt. Ltd.

The company is primarily involved in the mining and export of iron ore. Since its inception, it has gained a reputation in the mining sector. It is widely recognized as one of Goa's foremost mining companies and has significantly increased its emphasis on responsible Health and Safety practices. The Company has also steadily implemented a more structured approach to its activities. Its Corporate Social Responsibility initiatives include provision of medical facilities, education, water supply, agriculture and ecology development at mining locations.



Palette Hotels (I) Pvt. Ltd.

Palette Hotels (I) Pvt. Ltd. marks the NRB Group's entry into the hospitality and tourism sector. It currently owns and operates two properties in Goa, namely, The HQ and 10 Calangute.

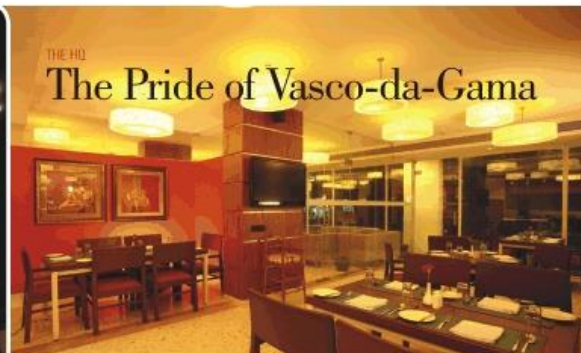
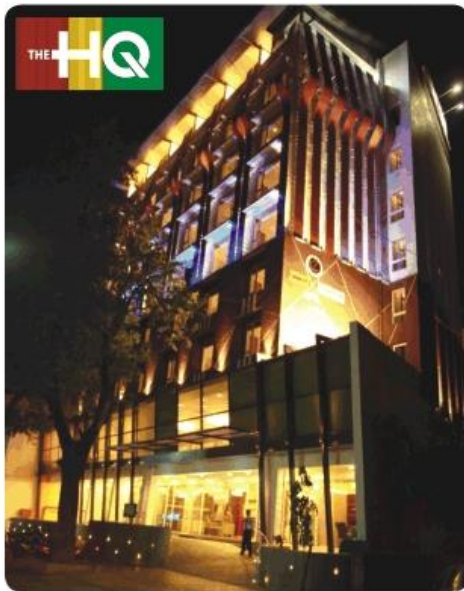


10 Calangute

Palette Hotels opened its first property in October 2008, an exclusive boutique hotel, 10 Calangute, named after the ten famous beaches of Goa. It is one of the finest properties in Calangute, North Goa, a buzzing tourist hub.



The HQ



The HQ is a four star business hotel located in the heart of Vasco-da-Gama city, Goa in close proximity to the Dabolim International Airport and other facilities. This is the second property of Palette Hotels and was commissioned in October 2010.

OUR BUSINESSES



NRB Pharma Zambia Limited



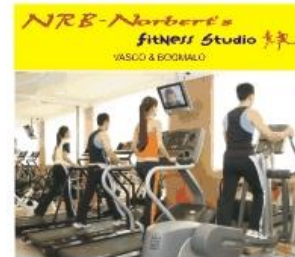
NRB PHARMA ZAMBIA LIMITED have a unit, consisting of two manufacturing plants and one building, housing laboratory, office and commercial stores. All have been constructed in an area admeasuring approximately 2.5 to 3 acres of land. These plants, have been designed to meet all International Standards to obtain Certification from the various Auditors like - WHO (World Health Organization), MCA (Medicine Control Agency)- UK, MHRA- Europe, TGMP(Therapeutic Goods Medicinal Products)- Australia, MCC (Medicine Control Council Control), GMP (Good Manufacturing Practices).

NRB Norbert's Fitness Studio

NRB-Norbert's Fitness Studio is a joint venture between NRB Group and Norbert D'Souza, who already runs a Norbert's Fitness Studio in Panaji and Porvorim.

NRB-Norbert's Fitness Studio is as state -of-the-art gym housing cutting edge fitness equitment under a single roof.

Nobert has the unique distinction od being one of the few individuals who holds a Fitness Trainer Certification from ISSA (International Sports Science Association), a USA-based Academy.



Manda & Narayan Bandekar Charitable Trust

This is a Chariatable Trust that facilitates and significantly contributes to various social responsibility initiatives. The trust promotes activities in the fields of education, sports, medical and classical music. Its twin objectives include community welfare and protection of the environment.

Education

The NRB Group's commitment to education and development is translated through running its " Bharatiya Vidya Bhavan Narayan Bandekar school" at Goa.

Real Estate

Building on the Group's rich history and expertise, plans are on the anvil to develop a multiplex-cum-mall with a mini-theatre and a sports complex replete with a swimming pool and oher facilities.

Tivim Pharmaceuticals Pvt. Ltd.

NRB is also running a Pharmaceutical manufacturing unit in North Goa.

3N Distraction

In the process of inauguration of the Up-coming Mall project with twin luxury Mini Theater in Vasco city.



Diet Clinic

Running Diet Clinic in Vasco City taking care of the healthy diet

Bandekar Speciality Valve Corporation

INTRODUCTION

Bandekar Speciality Valve Corporation (BSVC) designs and manufactures quality valves for use in diverse industries including petrochemicals, fertilizers, chemical, power plants and marine applications. Over the years we have gained recognition for our quality products and manufacturing standards all of which adhere to the strict quality assurance plan. Our high quality standards together with high reputation for excellence ensures that we continue to meet and exceed your expectations. It is our continuous endeavour to improvise our products by constantly updating our know how and provide the most competitive products in quality and price. All our products are meeting DIN/JIS/BS Standards.

PRODUCT LIST

- Butterfly Valves
Wafer type, Lugged type, Double Flange Type
- Globe valves (Flange end Type)
Straight / Angled (SDSL / SDNR)
- Gate valves (Flange end Type)
- Ball valves - 2 piece and 3 piece
- Strainers valves
Y-type and Box type
- Gauge glass / Sight glass MS / SS Fabricated Works / Pipe Fittings,
Screwed connectors
- Fire Hydrant Valve
- Storm Valve
Straight / Angled
- Self closing sounding cock
- Mud boxes & Strum Box
- Valve Chest

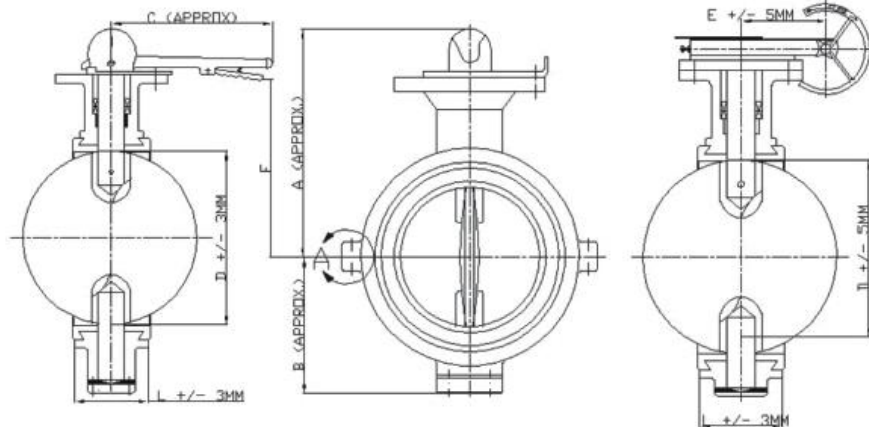
BUTTERFLY VALVE - WAFER TYPE

Butterfly valves – Wafer type with replaceable rubber lining, centric disc, split shaft with either hand lever or gear actuator as per requirement. Valve Body suitable for installation between flanges rated AISI B 16.5, ND 10 std, BS 10 table D/E, DIN PN 6,10, JIS. This type of butterfly valve is generally used for general industrial and maritime systems also in heating, AC, colling water, gas and swimming pool systems. Valves are available in various range of MOC of body, seat and disc as per clients requirements. Valves available under Class certification of IRS / ABS class.



MATERIAL SPECIFICATIONS:

SR.NO	COMPONENTS	MATERIALS AVAILABLE
1	Body	Gunmetal / Stainless Steel / Cast steel / Cast Iron
2	Disc	Gunmetal / Al. Bronze
3	Spindle	HT Brass / SS
4	Replaceable sleeve	EPDM / Nitrile / NBR
5	Fasteners	Stainless Steel
6	Actuation	Hand lever & gear box



SIZE	A	B	C	D	E	L	Wt.Kgs	QTY
50 NB	145	70	280	38.5	71	40	4	01
65 NB	155	80	280	44.5	83	44	5	01
80 NB	170	90	280	67	96	47	6	01
100 NB	195	105	280	92	123	53	9	03
125 NB	215	120	280	118.5	125	56	13	01
150 NB	225	140	280	144	135	56	16	01
200 NB	265	165	380	193	147	60	24	01
250 NB	310	205	380	245	191	68	29	01

* Bigger sizes are available on request.

STD PRODUCT RANGE : 50 NB - 700 NB*
 TEMPERATURE RANGE : 10 DEG TO 120 DEG
 SHORT FACE TO FACE
 SLEEVE MATERIAL - NBR AND EPDM
 CENTRIC DISC - ALUMINIUM BRONZE, GM, SS
 ACTUATION - HANDLE LEVER, GEAR ACTUATOR AND PNEUMATIC.
 CLASS APPROVED - APPROVED UNDER IRS/ ABS

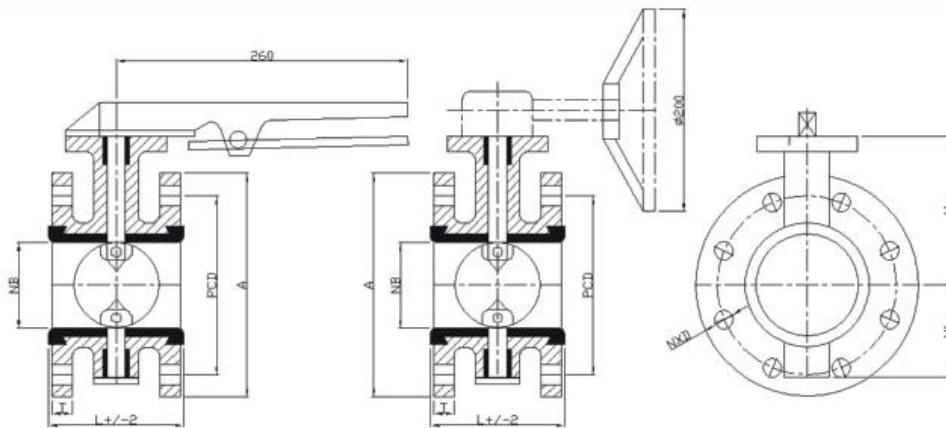
BUTTERFLY VALVE - FLANGED TYPE

With replaceable rubber lining, centric disc, split shaft with either hand lever or gear actuator as per requirement. Valve Body suitable for installation between flanges rated AISI B 16.5, ND 10 std, BS 10 table D/E, DIN PN 6,10, JIS. This type of butterfly valve is generally used for general industrial and maritime systems Valves are available in various range of MOC of body, seat and disc as per clients requirements. Valves available under Class certification of IRS / ABS class.



MATERIAL SPECIFICATIONS:

SR.NO	COMPONENTS	MATERIALS AVAILABLE
1	Body	Gunmetal / Stainless Steel / Cast steel / Cast Iron
2	Disc	Gunmetal / Al. Bronze
3	Spindle	HT Brass / SS
4	Replaceable sleeve	EPDM / Nitrile / NBR
5	Fasteners	Stainless Steel
6	Actuation	Hand lever & gear box



ALL DIMENSIONS ARE IN MM								
NB	L	H	H1	A	P.C.D	T	N	D
50	108	118	67	165	125	22	8	14
65	112	126	74	185	145	22	8	14
80	114	133	82	200	160	22	8	18
100	127	147	100	228	180	23	8	18
125	140	160	112	254	210	26	8	18
150	140	180	134	285	240	26	8	18

STD PRODUCT RANGE : 50 NB - 700 NB*
 TEMPERATURE RANGE - 10 DEG TO 120 DEG
 SHORT FACE TO FACE
 SLEEVE MATERIAL - NBR AND EPDM
 CENTRIC DISC - ALUMINIUM BRONZE, GM, SS
 ACTUATION - HANDLE LEVER, GEAR ACTUATOR AND PNEUMATIC.
 CLASS APPROVED - APPROVED UNDER IRS/ ABS

* Bigger sizes are available on request.

GLOBE VALVE - STRAIGHT TYPE

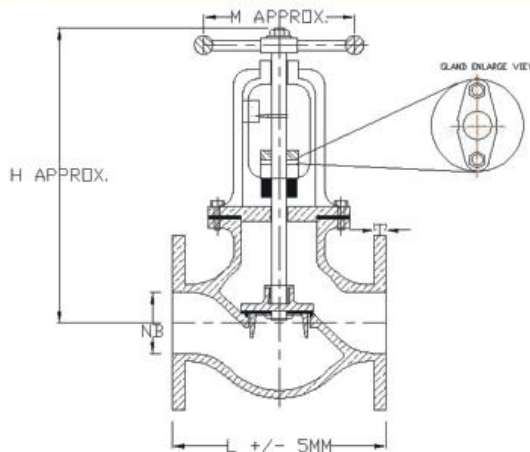
Globe valves with GM disc and seat, pressure rating PN 6/10, straight pattern, flat faced flanges according ANSI B 16.5 DIN ND 10 STD, BS 10 Table D/E, JIS bolted bonnet, outside screw & yoke. Heavy pattern for ship building industry. The valves offer good resistance to corrosive action of seawater, fresh water and waste water. Valves are available in various range of MOC of body, disc as per clients requirements. Valves available under Class certification of IRS / ABS class.

APPLICATION AREA: Aboard ships etc. but also in installations where internal or external corrosion is undesirable.



MATERIAL SPECIFICATIONS:

SR.NO	COMPONENTS	MATERIALS AVAILABLE
1	Body	Gunmetal / Stainless Steel / Cast steel / Cast Iron
2	Disc	Gunmetal / Al. Bronze
3	Spindle	HT Brass / SS
4	Bonnet	Gunmetal / Stainless Steel / Cast steel / Cast Iron
5	Fasteners	Stainless Steel
6	Actuation	Hand Wheel



NB	L	H APPROX.	T	M APPROX.
15NB	98	152	12	90
20NB	120	178	12	100
25NB	140	205	10	100
40NB	163	220	18	180
50NB	190	275	18	180
80NB	240	300	14	180
100NB	270	350	18	180
125NB	320	390	20	250

STD PRODUCT RANGE : 15 NB - 125 NB*

DISC TYPE - SDNR/ SDSL TYPE

OPERATION - HAND WHEEL

END CONNECTIONS SUITABLE - AISI B16.5 DIN ND 10, BS 10 TABLE D, E.

CLASS APPROVED - APPROVED UNDER IRS/ ABS

* Bigger sizes are available on request.

GLOBE VALVE - ANGLED TYPE

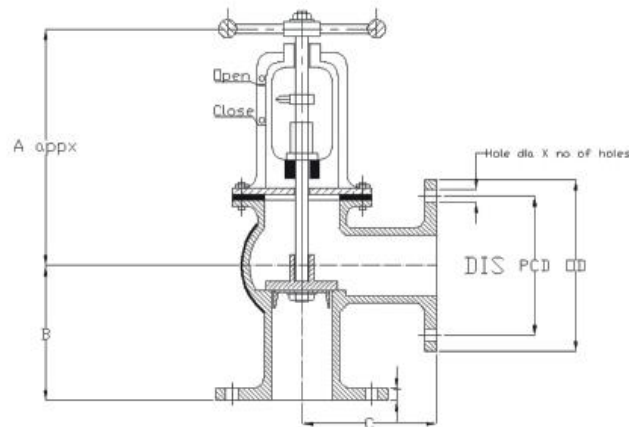
Globe valves with Gunmetal disc and seat, pressure rating PN 6/10, angle pattern, flat faced flanges according to DIN PN 10, JIS bolted bonnet, outside screw & yoke. Heavy pattern for ship building industry. The valves offer good resistance to corrosive action of seawater, fresh water and waste water. Valves are available in various range of MOC of body, disc as per clients requirements. Valves available under Class certification of IRS / ABS class.



APPLICATION AREA: Aboard ships etc. but also in installations where internal or external corrosion is undesirable.

MATERIAL SPECIFICATIONS:

SR.NO	COMPONENTS	MATERIALS AVAILABLE
1	Body	Gunmetal / Stainless Steel / Cast steel / Cast Iron
2	Disc	Gunmetal / Al. Bronze
3	Spindle	HT Brass / SS
4	Bonnet	Gunmetal / Stainless Steel / Cast steel / Cast Iron
5	Fasteners	Stainless Steel
6	Actuation	Hand Wheel



SIZE	A	B	C	D	FLANGE OD	P.C.D	FLANGE THICKNESS	HOLES DIA	NO OF HOLES
15NB	210	65	65	80	95	65	14	14	4
20NB	210	65	65	80	105	75	16	14	4
25NB	225	70	68	80	115	85	16	14	4
40NB	215	90	90	160	150	110	16	18	4
50NB	235	105	105	160	165	125	18	18	4
80NB	265	130	130	180	200	160	20	18	4
100NB	285	145	145	180	220	180	20	18	4
125NB	310	170	170	250	250	210	22	18	8

* Bigger sizes are available on request.

STD PRODUCT RANGE : 15 NB - 125 NB*

DISC TYPE - SDNR/ SDSL TYPE

OPERATION - HAND WHEEL

END CONNECTIONS SUITABLE - AISI B16.5 DIN ND 10,

BS 10 TABLE DE.

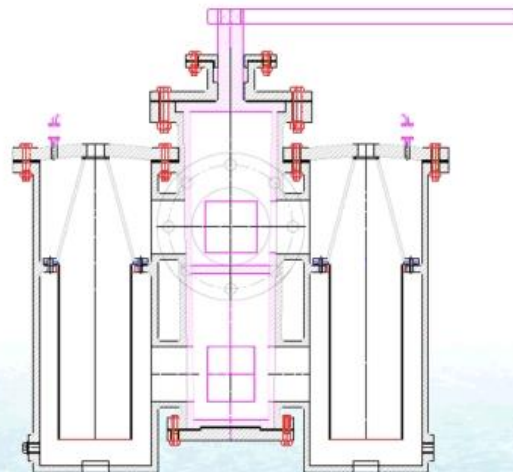
CLASS APPROVED - APPROVED UNDER IRS/ ABS

Duplex Filter (Marine)



MATERIAL SPECIFICATIONS

SR. NO	COMPONENTS	MATERIALS AVAILABLE
1	Body	Gun Metal
2	Stem	Gun Metal
3	Filters	Stainless Steel
4	Hand lever	Mild Steel
5	Fasteners	Stainless Steel



* Bigger sizes are available on request.

Gun Metal Flanges



FLANGES

Material: Gun Metal
 Pads/flange AISI B 16.5 DIN ND 10 STD,
 BS 10 table D/E, JIS.
 STD product range: 15 NB to 150 NB,
 Bigger Size on request

Valves Equivalent to Econosto Valves



Econosto Valve



BSVC Valve

We have developed Valves as per the International Standards for the Marine requirements equivalent to Econosto Valves. The material of constructions and End dimensions are as per the International requirements. We have successfully delivered these valves for new construction vessels built by Chowgule & Co. Pvt. Ltd. followed with 3 repeat orders for the same.

This Valves are Class approved by the IRS.

MATERIAL SPECIFICATIONS:

SR.NO	COMPONENTS	MATERIALS AVAILABLE
1	Body	Gunmetal / Stainless Steel / Cast steel / Cast Iron
2	Disc	Gunmetal / Al. Bronze
3	Spindle	HT Brass / SS
4	Replaceable sleeve	EPDM / Nitrile / NBR
5	Fasteners	Stainless Steel
6	Actuation	Hand lever & gear box



GATE VALVE

Material: Gunmetal, Cast Steel, Cast Iron
 End connection suitable for flange AISI B 16.5 DIN ND 10 STD,
 BS 10 table D/E, JIS.
 STD product range: 15 NB to 250 NB, Bigger Size on request



STRAINERS - Y - TYPE

Material: Gunmetal, Cast Steel, Cast Iron
 End connection suitable for flange AISI B 16.5 DIN ND 10 STD,
 BS 10 table D/E, JIS.
 Std product range: 15 NB to 250 NB, Bigger Size on request



STRAINERS - BOX TYPE

Material: Gunmetal, Cast Steel, Cast Iron
 End connection suitable for flange AISI B 16.5 DIN ND 10 STD,
 BS 10 table D/E, JIS
 STD product range: 15 NB to 250 NB, Bigger Size on request



GAUGE GLASS

Material: Gunmetal
 End connection suitable for flange AISI B 16.5 DIN ND 10 STD,
 BS 10 table D/E, JIS .
 STD product range: 10 NB to 20 NB, Bigger Size on request



FOOT VALVE WITH STRAINER

Material: Gunmetal, Cast Steel
 End connection suitable for flange AISI B 16.5 DIN ND 10 STD,
 BS 10 table D/E, JIS.
 STD product range: 25 NB to 250 NB, Bigger Size on request



CHECK VALVE

Material: Gunmetal, Cast Steel, Cast Iron
 End connection suitable for flange AISI B 16.5 DIN ND 10 STD,
 BS 10 table D/E, JIS.
 STD product range: 15 NB to 250 NB, Bigger Size on request



SIGHT GLASS

Material: Gunmetal, Cast Steel
 End connection suitable for flange AISI B 16.5 DIN ND 10 STD,
 BS 10 table D/E, JIS.
 STD product range: 15 NB to 100 NB, Bigger Size on request



SELF CLOSING SOUNDING COCK

Material: Gunmetal
 End connection suitable for flange AISI B 16.5 DIN ND 10 STD,
 BS 10 table D/E, JIS.
 STD product range: 32 NB to 65 NB, Bigger Size on request



FIRE HYDRANT VALVES

Material: Gunmetal
 End connection suitable for flange AISI B 16.5 DIN ND 10 STD,
 BS 10 table D/E, JIS.
 STD product range: 65 NB



VALVE CHEST

Material: Cast Steel, Cast Iron
 End connection suitable for flange AISI B 16.5 DIN ND 10 STD,
 BS 10 table D/E, JIS.
 STD product range: 40 NB to 150 NB, Bigger Size on request



BALL VALVE

Material: Gunmetal, Cast Steel
 End connection suitable for flange AISI B 16.5 DIN ND 10 STD,
 BS 10 table D/E, JIS.
 STD product range: 15 NB to 250 NB, Bigger Size on request



STORM VALVE

Material: Gunmetal, Cast Steel
 End connection suitable for flange AISI B 16.5 DIN ND 10 STD,
 BS 10 table D/E, JIS.
 STD product range: 65 NB to 150 NB,

PIPE FITTINGS/PIPES



Material: Gunmetal, Steel
 Pads/flange AISI B 16.5 DIN ND 10 STD,
 BS 10 table D/E, JIS. STD product range: 15 NB to 150 NB,
 Bigger Size on request

LIST OF OUR ESTEEMED CLIENTS

MARINE

- Goa shipyard Ltd
- Hindustan Shipyard Ltd.
- Chowgule & Co. Pvt. Ltd.
- Timblo dry docks Pvt Ltd
- Dempo shipbuilding & Engg Pvt Ltd
- Sesa Shipping Division
- Ferromar Shipping
- Siddarth Engineering Pvt Ltd.
- Western India Pvt Limited
- Heinin & Hopmen

PETROCHEMICALS

- Zuari Indian Oil Tanking
- Bharat Petroleum Corporation Ltd.
- Cochin Refineries Ltd.
- Indian Oil Corporation Ltd
- Oil & Natural Gas Commission
- Rashtriya Chemicals & Fertilizers Ltd.
- Southern Petrochemicals Industries Corp. Ltd
- Hindustan Petroleum Corporation Ltd
- Tata Oil Mills Ltd

AGRO & FERTILIZERS

- Ambika Sugar
- Zuari Agro Chemicals Ltd
- Madras Fertilizers
- National Fertilizers Limited
- Dharani Sugars Ltd.
- Fertilizers & Chemicals Travancore Ltd
- Manjara Shetkari Sakhar Karkhana
- Mangalore Chemical & Fertilizers Ltd.

INDUSTRIAL

- Lloyds Steel Industries
- Mysore Paper Mills
- National Aluminium Company Ltd
- Indian Rayon Industries
- Ambuja Cement
- Ballarpur Industries Limited
- Bharat Heavy Electricals Limited
- Orissa Synthetic Ltd.

POWERPLANTS

- Bhabha Atomic Research Centre
- Reliance Energy

CLASS CERTIFICATION



We manufacture class approved valves under the following Registered bodies :



IRS - Indian Registrar of Shipping



ABS - American Bureau of Shipping



LRS - Lloyd's Register of Shipping



PDIL - Projects & Development India Limited

Projects & Development India Limited

CERTIFICATE OF AUTHENTICITY

AMERICAN BUREAU OF SHIPPING
MISCELLANEOUS SURVEY REPORT

Customer Name: **BANDEKAR SPECIALTY VALVE CORPORATION** Purchase Order No: **228 dated 12-2-2013**
Attending Office: **Mumbai-Goa** Report Number: **MGO2366434**
First Visit Date: **29-May-2013** Last Visit Date: **28-Jun-2013**

Statement of Fact
Survey Location: **Goa, India**

The scope of work was as agreed.
The survey of the items identified has been carried out in accordance with the applicable Process Instruction.

The following carried out on two (2) No. 15A ISO 5208 angle globe valves and two (2) No. 20A ISO 5208 angle globe valves at M/S Bandekar Specialty Valve Corporation, Goa, India (MNO/11202), The Client's Single Oxydes Pvt Ltd., Goa, India) Purchase Order no. 536 dated 12-2-2013 placed on the manufacturer: **M/S The Bandekar's valve no. 85VCY0020-10 valve:**

- Physical and chemical tests carried out on **15A ISO 5208** as per **ASME B31.3-4900**, 15A1 GM LG MC.
- Dimensional checks carried out with reference to **ASME B31.3-4900**.
- The valve body and the seat were subjected to hydrotest at **1.5 x RATED PRESSURE**.
- The valves were stamped MGO2366434 for use on board.

Surveyor(s) to the American Bureau of Shipping
Attending Surveyors
Mascarenhas Jimmy C. **Electronically Signed on 27-Jun-2013**
Uday Panikaj Kumar **Electronically Signed on 27-Jun-2013 by Mascarenhas, Jimmy C.**
Reviewed By
Dhall, Vaseev-Nagesh Sunde **Electronically Signed on 28-Jun-2013, Mumbai Port**

NOTE: This Report does not represent validation of any ABS Rule requirement relating to the repaired equipment or documentation, as no evaluation of compliance or condition is made by the Registry. This Report is a report made for the use of the Bureau. It is not intended to be used for other purposes. Parties are advised to review the Rules for the correct and complete interpretation and to verify the survey results for a full observation of any repetition or limitation on the results herein as a warning. The validity, applicability and interpretation of this Report is subject to the Rules and regulations of American Bureau of Shipping, which shall prevail over any other rules, regulations, codes or other rules of any relevant authority. Parties concerned shall verify any relevant rules or codes.

All Report Values Page 1

ORIGINAL
Indian Register of Shipping

Port: **GOA**
Date: **08-07-2013**
Report No.: **MGO130071**

This is to certify that at the request of M/s Bandekar Specialty Valve Corporation, Vasco - Goa undesignated Surveyor/s to this society attended their works at Sanevale Industrial Estate, Sanevale - Goa on 27.06.2013 and in behalf of the society for the purpose of examining the Gm Metal Flanges manufactured against P.O Ref. PO# 000310713-14, dated 24.05.2013 of M/s Bandekar Shipyard Ltd., Visakhapatnam - Goa intended for their YARD NO. VC-11182-64.

DESCRIPTION: GM FLANGES

Sl. No.	Item Code	Description	Flange I.D.	Quantity
1	32261293/GM Flanges NW 15		21mm	100 nos
2	32261323/GM Flanges NW 25		31mm	100 nos
3	32261333/GM Flanges NW 32		38mm	30 nos
4	32261343/GM Flanges NW 40		45.5mm	10 nos
5	32261353/GM Flanges NW 50		58mm	100 nos

The above 'Gm Flanges' for valves were examined as per DIN 2501, standards PN10 & PN16 description as given below:

1. Manufacturer Material Certificate reviewed;
2. Visual & Dimensional check;
3. Calibration status of all measuring instruments reviewed and found valid.

The above GM Flanges for valve are considered fit for use on a vessel classed or intended to be classed with this society provided it is installed and tested to the satisfaction of the attending surveyor in accordance with the rules.

The above components are stamped as MGO 13C T1

Mario A. C. Rubin
Surveyor(s) to Indian Register of Ships

NOTE: This Report does not represent validation of any ABS Rule requirement relating to the repaired equipment or documentation, as no evaluation of compliance or condition is made by the Registry. This Report is a report made for the use of the Bureau. It is not intended to be used for other purposes. Parties are advised to review the Rules for the correct and complete interpretation and to verify the survey results for a full observation of any repetition or limitation on the results herein as a warning. The validity, applicability and interpretation of this Report is subject to the Rules and regulations of American Bureau of Shipping, which shall prevail over any other rules, regulations, codes or other rules of any relevant authority. Parties concerned shall verify any relevant rules or codes.

All Report Values Page 2

ROAD MAP TO BANDEKAR SPECIALITY VALVE CORPORATION



BANDEKAR SPECIALITY VALVE CORPORATION

HEAD OFFICE:

Dr. Ozler Forum, 6th Floor, Vasco-da-Gama, Goa.

Phone: 0832 - 2512563 / 2512848, Fax: 0832 - 251997

E-mail: valves@nrbgroup.biz, Website: www.nrbgroup.biz

FACTORY ADDRESS

Shed No. D36, Near Zenith Computers Ltd.,

Sancoale Industrial Estate, Zuarinagar Goa 403726

Contact +91 08600144948